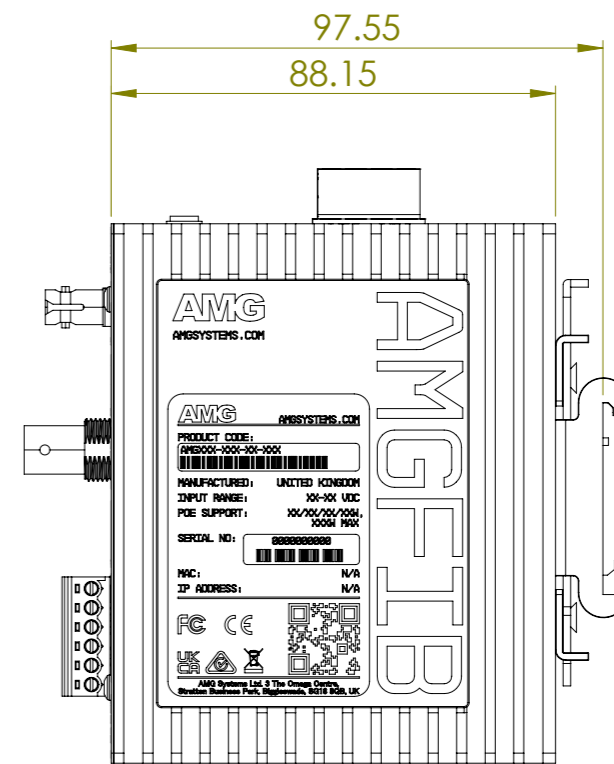
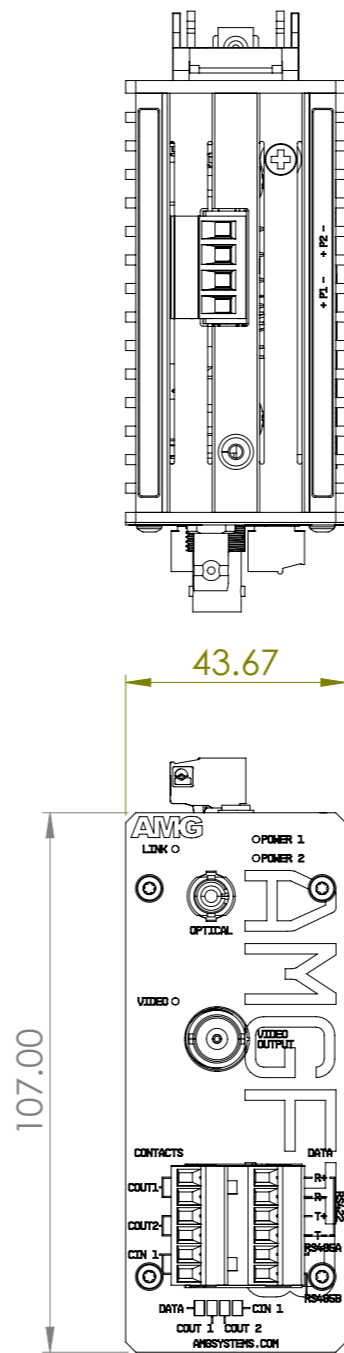
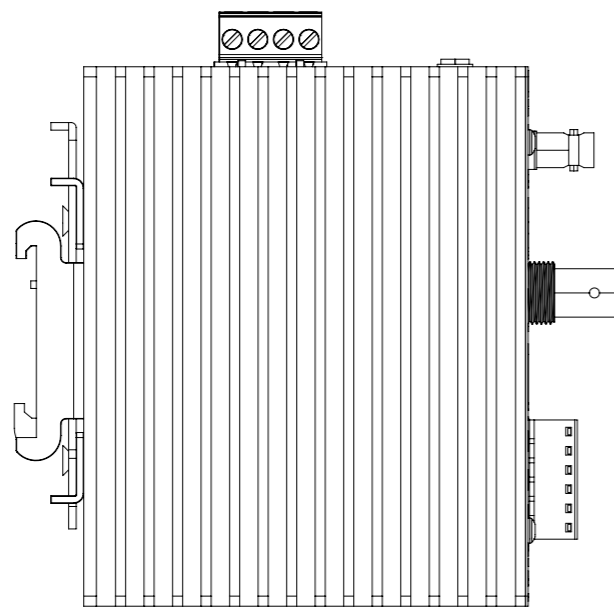


REVISION	DRN BY	DRN DATE	CHK BY	CHK DATE	CHANGE DESCRIPTION
01	JMc	16/10/23	TE	16/10/23	Initial drawing
-	-	-	-	-	-
-	-	-	-	-	-



DEBURR AND BREAK SHARP EDGES
DO NOT SCALE DRAWING

UNLESS OTHERWISE SPECIFIED:
DIMENSIONS ARE IN MILLIMETERS
TOLERANCES:
LINEAR: +/- 0.1
ANGULAR: +/- 0.5

DWG NO.
H31083

TITLE:
AMGFIB-1VR-1SD-3CC-X1B

FINISH: Natural

MATERIAL: _

Document is property of AMG Systems Ltd and must not be shared, copied or printed without prior consent.

REVISION **01**
A3

SHEET 1 OF 1



SCALE:2:3